



36 x 72mm

Features :

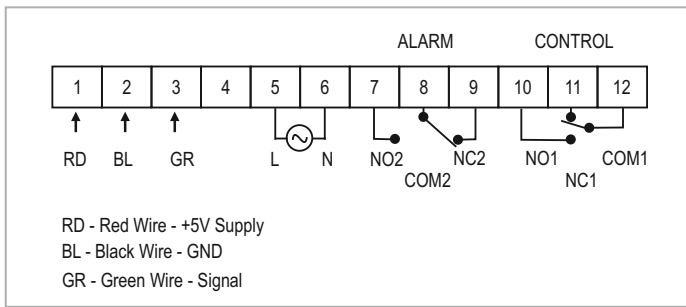
- ▶ 3 Digits, 7 Segment LED single white display
- ▶ Capacitive touch keypad
- ▶ RH sensor input
- ▶ RH sensor enclosed
- ▶ Compact size
- ▶ 10A Relay output
- ▶ Auxiliary relay output
- ▶ ON / OFF control
- ▶ 0 to 100% Humidity Control range
- ▶ IDM Applicable

Certifications : CE , IP65

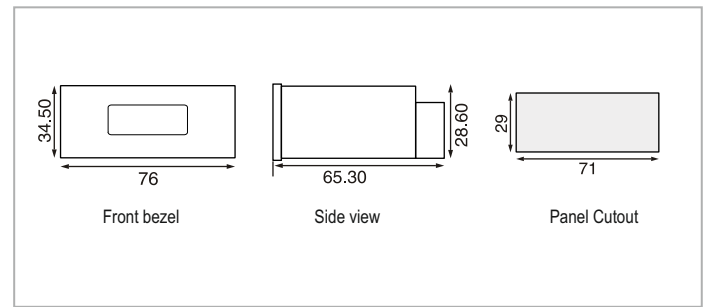
Technical specifications

Display specifications	
Display	3 Digits 7 Segment LED single white display
LED indication	Set point lock, Relay ON, Alarm
Input specifications	
Inputs	RH sensor
Resolution	1 / 0.1%
FTC	0.2 to 10sec
Set point	1
Indication accuracy	±1% of Full scale
Output specifications	
Control output	10A @ 250V AC
Alarm output	5A @ 250V AC
Special feature	Humidification / Dehumidification
Functional specifications	
Control action	ON - OFF (humidity)
Display offset adjustment	-19.9 to 19.9
Reset time delay	Adjustable from 00 to 99 min
Auxiliary supply specifications	
Supply voltage	90 to 270V AC / DC @ 50 / 60Hz
Power consumption	3 VA max @ 230V AC
Environment specifications	
Temperature	Operating : 0°C to 50°C (32 to 122°F); Storage : -20°C to 75°C (-4 to 167°F)
Humidity (non - condensing)	95% RH
Mechanical specifications	
Mounting	Panel
Weight	93 gms
Sensor Information	
Cable length	1 meter
Dimensions (mm)	52 x 28.8 x 18
Input range	5V DC
Alarm indications	
High alarm	Display alternates between 'HA / PV'
Low alarm	Display alternates between 'LA / PV'

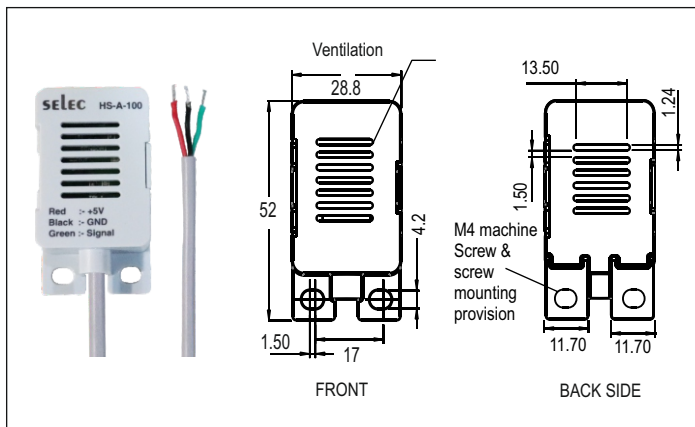
Terminal connections



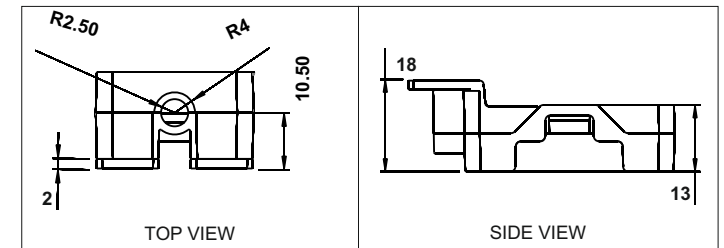
Dimensions (All are in mm)



Sensor Dimension (Top & Side)

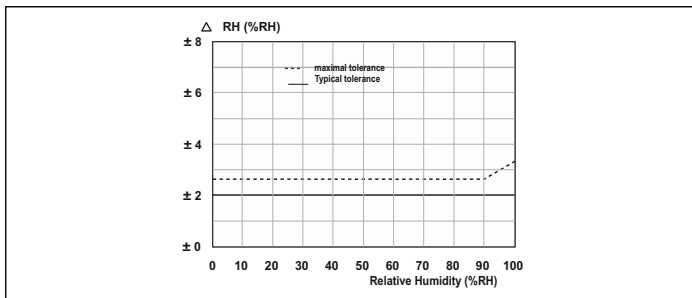


Sensor Dimension (Top & Side)

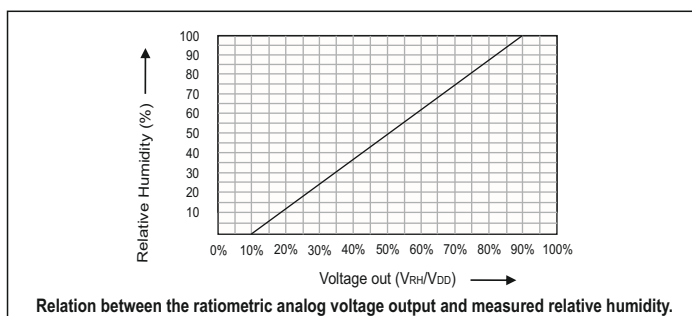


NOTE : Length of the cable can be increased by using compensation cable upto 3 meter. After that accuracy may vary by 1% / Meter.

Humidity Sensor Performance



Tolerance of RH at 25°C



Compliance

Applicable EMI / EMC Standards		
Product Standard : IEC 61326-1		
Category		Standards Compliance
ESD Immunity	IEC 61000-4-2	Level III
Surge Immunity	IEC 61000-4-5	+/- 2 kV common mode, +/- 1 kV differential mode
Radiated Susceptibility	IEC 61000-4-3	Level III, 80 to 1000MHz Level II, 1.4GHz to 2GHz Level I, 2GHz to 2.7GHz
Conducted Susceptibility	IEC 61000-4-6	Level II
Voltage Dips and Interruptions	IEC 61000-4-11	Dips : 0% residual voltage / 1 cycle (Criteria B), 40% residual voltage / 10 cycles 50Hz / 12 cycles 60Hz (Criteria C) 70% residual voltage / 25 cycles 50Hz / 30 cycles 60Hz (Criteria C) Interruptions : 0% residual voltage / 250 cycles 50Hz / 300 cycles 60Hz (Criteria C)
Conducted Emission	CISPR-11	
Radiated Emission	CISPR-11	
Electrical Fast Transient	IEC 61000-4-4	Level III

Ordering information

Product Code	Input	Control Output	Alarm	Supply Voltage	Certification
		Output 1			
HC404	RH	RELAY (10A)	RELAY (5A)	90 to 270V AC / DC	CE