



72 x 72mm



96 x 96mm

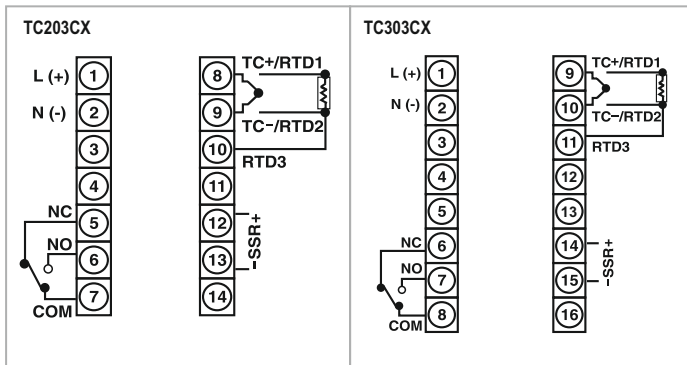
### Features :

- ▶ 3 digits, 7 segment LED single display
- ▶ TC / RTD inputs
- ▶ ON - OFF/ PID control
- ▶ Single set point
- ▶ °C/°F selectable
- ▶ Field selectable control output (Relay or SSR)
- ▶ IDM applicable

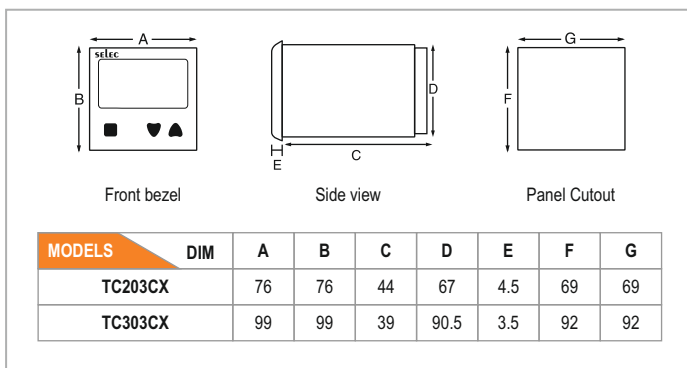
## Technical specifications

Display specifications	
Display	3 digits, 7 Segment digital display
Height of display	21mm
LED indication	OUT: Control output ON
Input specifications	
Inputs	Thermocouple (J, K, T, R, S)/ RTD (PT100)
Resolution	Fixed 1°
Indication accuracy	For TC inputs: 0.25% of F.S. ±1° For R & S inputs: 0.5% of F.S. ±1° (30 min of warm up time) For RTD inputs: 0.1% of F.S. ±1° (F.S. = Full scale)
Temperature unit	°C/°F selectable
Input filter (FTC)	0.2 to 10.0 sec
Sampling time	250 ms
Output specifications	
Control output (Relay or SSR user selectable)	
Relay contact (SPDT)	Main Output: NO: 10A 250 VAC/ 24 VDC NO/ NC: 5A/ 5A 250 VAC/ 24 VDC
SSR drive (Voltage pulse)	12 VDC, 50 mA
Functional specifications	
Control action	1) PID Control with auto tuning 2) ON-OFF control
Proportional band (P)	1.0 to 400°C
Integral time (I)	0.0 to 99.9 min
Derivative time (D)	0 to 999 sec
Cycle time	0.1 to 99.9 sec
Hysteresis width	0.1 to 99.9°
Manual reset value	- 19.9 to 19.9°
Auxiliary supply specifications	
Supply voltage	90 to 270 VAC/ DC (AC: 50/ 60Hz)
Power consumption	5 VA max @ 230 VAC
Environment specifications	
Temperature	Operating: 0°C to 50°C (32 to 122°F); Storage: - 20°C to 75°C (- 4 to 167°F)
Humidity (non - condensing)	95% RH
Mechanical specifications	
Mounting	Panel
Weight	TC203CX - 180 gms; TC303CX - 240 gms

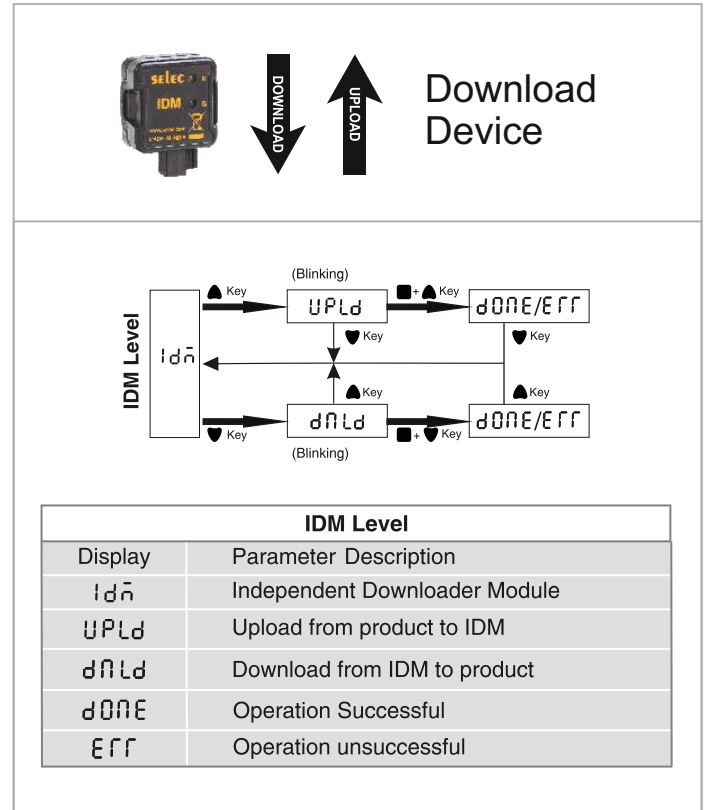
## Terminal connections



## Dimensions (All are in mm)



## Independent downloader module (IDM)



## Ordering information

Product Code	Output 1		Supply Voltage	Certification
	Relay	SSR		
TC203CX	RELAY (10A)	SSR (12V DC)	90 to 270V AC / DC	---
TC303CX	RELAY (10A)	SSR (12V DC)	90 to 270V AC / DC	---