



36 x 72mm

Features :

- 3 Digits, 7 Segment LED single white display
- Capacitive touch keypad
- LED status indicator : Set point lock, Defrost, Relay ON
- °C / °F selectable
- Door open mode
- 10A, 20A Control Relay available
- SSR or Relay alarm output available
- Defrost management
- Compact size

Certifications : 

Display specifications

Display	3 Digits 7 Segment LED single white display
LED indications	Set point lock, Defrost, Relay ON

Input specifications

Inputs	NTC
Resolution	1 / 0.1°
Setpoints	1
Indication accuracy	±1% of Full scale

Output specifications

Relay contact	SPDT 10A @ 250V AC/30V DC
CH403C-1-NTC V2	12V SSR @ 30mA
CH403C-2-NTC	SPST 20A @ 230VAC/30V DC
CH403C-3-NTC	SPDT 10A @ 250V AC/30V DC
	SPST 5A @ 250V AC/30V DC
Special feature	Door open mode, Defrost management

Functional specifications

Control action	ON - OFF
Hysteresis	0.1 to 9.9
Display offset adjustment	-19.9 to 20.0
Restart time delay	Adjustable from 00 to 99 minutes
Relay action	Heat & cool mode
Defrost time	Programmable from 00 to 99 minutes
Defrost frequency	Programmable from 00 to 99 (Hr / Min / Sec)

Specifications for NTC sensor

Sensor type	NTC probe
Thermistor range	-40 to 90°C
Nominal resistance	10K ohms @ 25°C

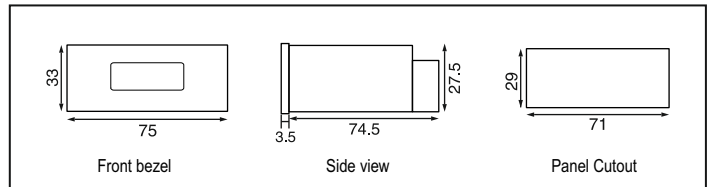
Auxiliary supply specifications

Supply voltage	230V AC @ (50 / 60Hz)
Power consumption	
CH403C-1-NTC V2	3 VA max @ 230V AC
CH403C-2-NTC	3 VA max @ 230V AC
CH403C-3-NTC	3 VA max @ 230V AC

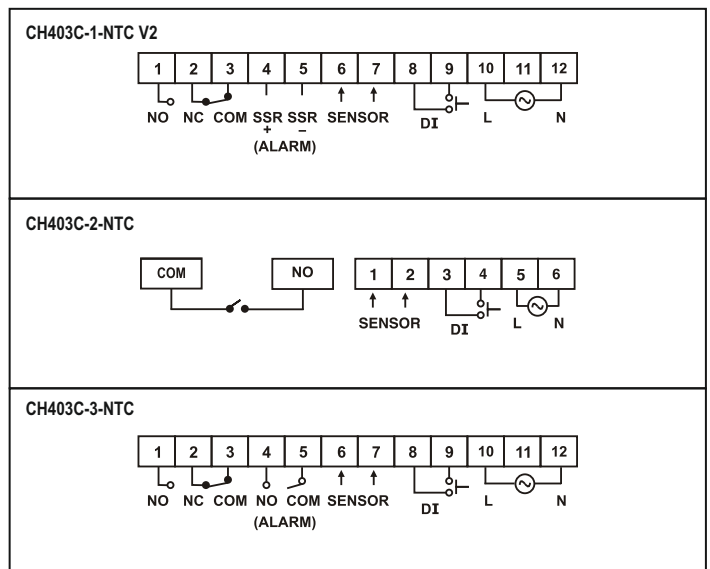
Environmental specifications

Temperature	Operating : 0 to 50°C (32 to 122°F) Storage : -20 to 75°C (-4 to 167°F)
Humidity (non - condensing)	95% RH
Weight	
CH403C-1-NTC V2	150 gms
CH403C-2-NTC	150 gms
CH403C-3-NTC	150 gms

Dimensions (All are in mm)



Terminal connections



Sensor provided with product

NTC Sensor (see Specification of NTC Sensor for details)	TSP04
--	-------

Accessory(Also available separately on request)

PROBE



MODEL	Sensor type	Temperature range (°C)	Nominal Resistance
TSP04	NTC probe	-40 to +100	10 K ohms @ 25°C

Ordering information

Product code	Control Output	Alarm	Supply Voltage	Certification
CH403C-1-NTC V2	RELAY(10A)	SSR(12V)	230V AC	CE
CH403C-1-NTC	RELAY(20A)	—	230V AC	CE
CH403C-1-NTC	RELAY(10A)	RELAY(5A)	230V AC	CE

Compliance

Applicable EMI / EMC Standards		
Product Standard : IEC 61326-1		
Category		Standards Compliance
ESD Immunity	IEC 61000-4-2	Level III
Surge Immunity	IEC 61000-4-5	+/- 2 kV common mode, +/- 1 kV differential mode
Radiated Susceptibility	IEC 61000-4-3	Level III, 80 to 1000MHz Level II, 1.4GHz to 2GHz Level I, 2GHz to 2.7GHz
Conducted Susceptibility	IEC 61000-4-6	Level II
Voltage Dips and Interruptions	IEC 61000-4-11	Dips : 0% residual voltage / 1 cycle (Criteria B), 40% residual voltage / 10 cycles 50Hz / 12 cycles 60Hz (Criteria C)70% residual voltage / 25 cycles50Hz / 30 cycles 60Hz (Criteria C) Interruptions : 0% residual voltage / 250 cycles 50Hz / 300 cycles 60Hz (Criteria C)
Conducted Emission	CISPR-11	
Radiated Emission	CISPR-11	
Electrical Fast Transient	IEC 61000-4-4	Level III