



### Features :

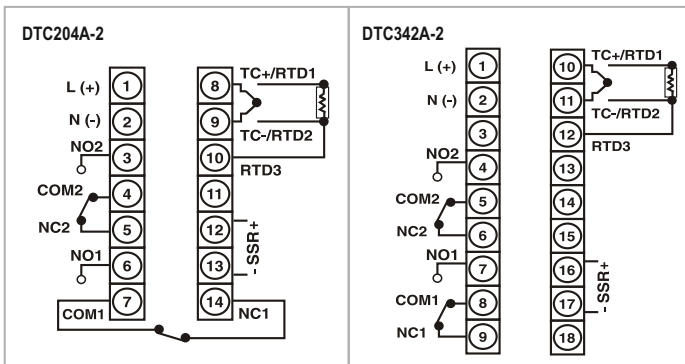
- ▶ 4 digits, 7 segment LED single display
- ▶ TC/ RTD inputs
- ▶ ON - OFF/ PID control
- ▶ Dual set point
- ▶ °C/°F selectable
- ▶ Control output: Relay or SSR (Field selectable)
- ▶ Auxiliary output: Relay

## Technical specifications

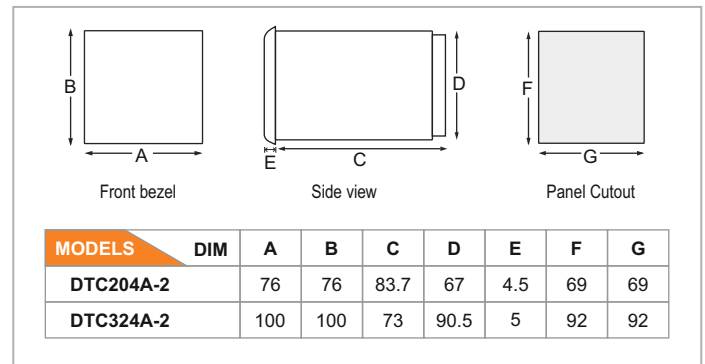
Display specifications	
Display	4 digits, 7 Segment LED single display
Height of display	DTC204A - 2: 13.5 mm, DTC324A - 2: 14 mm
LED indication	1. Output 1 ON , T Auto tune 2. Output 2 ON
Input specifications	
Inputs	Thermocouple (J, K, T, R, S) / RTD (PT100)
Resolution	0.1 / 1 for TC / RTD inputs (fixed 1 for R & S type TC input)
Indication accuracy	For J, K & T inputs: 0.25% of F.S. $\pm 1^\circ$ For R & S inputs: 0.5% of F.S. $\pm 2^\circ$ (20 min of warm up time for TC inputs) For RTD input: 0.1% of F.S. $\pm 1^\circ$ (F.S. = Full scale)
Temperature unit	$^\circ\text{C}/^\circ\text{F}$ selectable
Input filter (FTC)	0.2 to 10.0sec
Sampling time	250 ms
Output specifications	
<b>Control output</b> (Relay or SSR user selectable)	
Relay contact (SPDT)	Main Output: NO: 10A 250 VAC/ 24 VDC NO/ NC: 5A/ 5A 250 VAC/ 24 VDC
SSR drive (Voltage pulse)	12 VDC, 30 mA
<b>Auxiliary output</b>	
Relay contact (SPDT)	Alarm Output: NO: 10A 250 VAC/ 24 VDC NO/ NC: 5A/ 5A 250 VAC/ 24 VDC
Functional specifications	
Control action	1) PID Control with auto tuning 2) ON-OFF control
Proportional band (P)	1.0 to 400.0 $^\circ\text{C}$
Integral time (I)	0 to 9999 sec
Derivative time (D)	0 to 9999 sec
Cycle time	0.1 to 99.9 sec
Hysteresis width	0.1 to 99.9 $^\circ$
Manual reset value	- 19.9 to 19.9 $^\circ$
Heat-cool	
Control action	PID
Proportional band-cool	0.0 to 400.0 $^\circ$
Cycle time-cool	0.1 to 99.9 sec
Dead band	Programmable from set point low limit to set point high limit.
Settings for alarm output	
Modes	Deviation, Absolute
Hysteresis	0.1 to 99.9 $^\circ$

Auxiliary supply specifications	
Supply voltage	90 to 270 VAC/ DC (50/ 60Hz)
Power consumption	6 VA max @ 230 VAC
Environment specifications	
Temperature	Operating: 0°C to 50°C (32 to 122°F); Storage: - 20°C to 75°C (- 4 to 167°F)
Humidity (non - condensing)	95% RH
Mechanical specifications	
Mounting	Panel
Weight	DTC204A - 2: 200 gms ; DTC324A - 2: 252 gms

## Terminal connections



## Dimensions (All are in mm)



## Ordering information

Product code	Output 1		Output 2	Supply voltage	Certification
	Relay	SSR			
DTC204A-2	RELAY (10A)	SSR (12 VDC)	RELAY (5A)	90 to 270 VAC/ DC	---
DTC324A-2	RELAY (10A)	SSR (12 VDC)	RELAY (5A)	90 to 270 VAC/ DC	---