




72 x 72mm

Features :

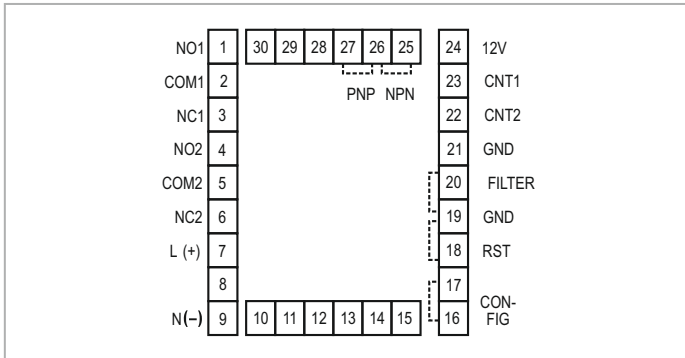
- ▶ 6 digits Counter, 4 digits RPM Indicator
- ▶ LED Indications: Relay 1, Relay 2, Rate, Batch
- ▶ Dual Set Point
- ▶ Programmable input scaling
- ▶ User configurable Relay 2 operation mode
- ▶ User configurable Rate/ Font
- ▶ Unidirectional, Bi - directional & Quadrature mode with up/ down selection

Certifications: 

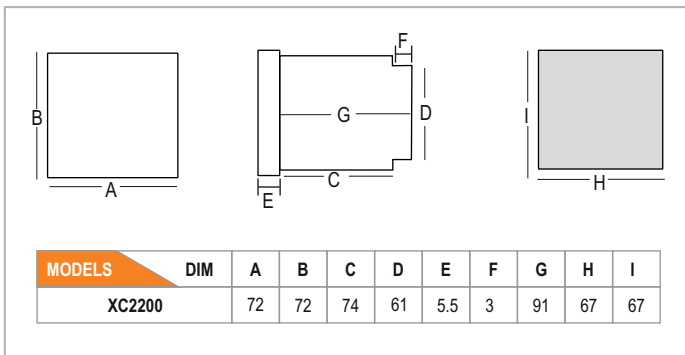
Technical specifications

Display specifications	
Display	6 digits for Counter, 4 digits for RPM Indicator
LED indication	1: Relay1, 2: Relay2, Rt: Rate Bt: Batch
Input specifications	
Sensor type	NPN/ PNP
Input type	Voltage pulse (5 to 30V DC) from Proximity switches, Encoders, Solid state devices, Potential free contact
Input speed	a) 0 to 30Hz b) 0 to 5kHz
Accuracy	Rate: 0.05% ± 2 counts
Output specifications	
Sensor supply	Inbuilt, 12 VDC, 30mA
Contact rating	Relay: NO: 10A 250 VAC/ 28 VDC NO/ NC: 5A/ 5A 250 VAC/ 28 VDC
Relay contact	2X SPDT
Functional specifications	
Modes	ON delay/ Interval/ Auto reset/ Time pulse repeat
Time ranges	Count: Selectable least count 0.0001, 0.001, 0.01, 0.1 & 1 Rate: Auto ranging 4.00 to 9999 RPS, RPM or RPH mode
Counting direction	Unidirectional, Bidirectional, Quadrature
Set point	2
Scale factor	0.00001 to 9.99999 x 10 ⁿ n = - 5, - 4, - 3, - 2, - 1, 0, 1, 2
Reset	Front (user selectable), Remote
Memory retention	Yes
Auxiliary supply specifications	
Supply voltage	90 to 270 VAC/ DC (50/ 60Hz)
Power consumption	6VA Max.
Environment specifications	
Temperature	Operating: 0 to 50°C (32 to 122°F) Storage: - 20 to 75°C (- 4 to 167°F)
Humidity (non - condensing)	95% RH
Mechanical specifications	
Mounting	Panel mount
Weight	228.53gms

Terminal connections



Dimensions (All are in mm)



Compliance

Applicable EMI / EMC Standards		
Product Standard		
Category	Reference Standards	Testing Level
Electrostatic Discharge	IEC 61000-4-2	Level-3
Electrical Fast Transient / Brust	IEC 61000-4-4	Level-3
Electromagnetic Field	IEC 61000-4-3	Level-3
Surge	IEC 61000-4-5	Level-3
Conducted RF	IEC 61000-4-6	Level-2
Rated Power Frequency	IEC 61000-4-8	Level-4
Voltage Dip / Short Interruptions	IEC 61000-4-11	Level-3
Conducted Emissions	CISPR-11	Class-B
Rated Emissions	CISPR-22	Class-A
Emission & Immunity	IEC 61326-1	
Safety	IEC 61010-1	
PFMF (Passing criteria)	IEC 61000-4-8	Class A

Ordering information

Product code	Supply voltage	Certification
XC2200	90 to 270 VAC/ DC	----
XC2200-CE	90 to 270 VAC/ DC	CE