



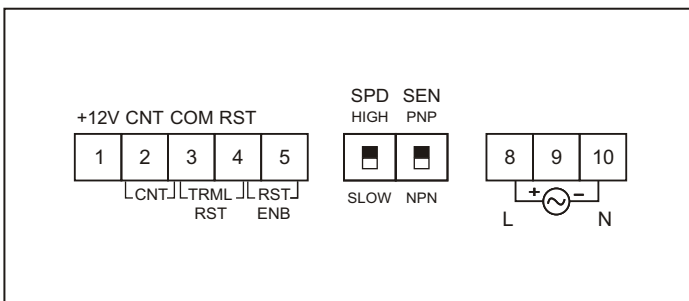
36 x 72mm

### Features :

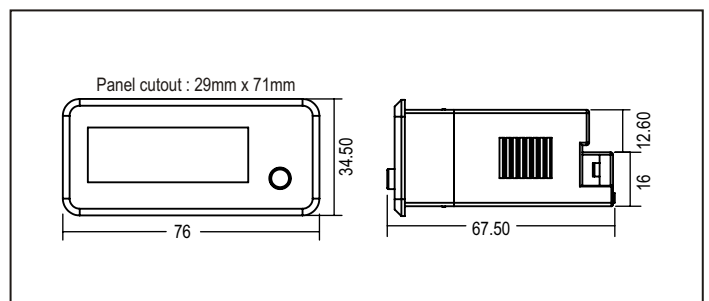
- ▶ 6 Digit, 7 Segment LED Totaliser
- ▶ Compact size
- ▶ Inbuilt sensor supply
- ▶ Universal power supply

Display specifications	
Display	6 digit, 0.30" Red 7 segment LED
Input specifications	
Sensor type	NPN / PNP
Input type	5 to 30V DC from Proximity switches, Encoders, Potential free contacts, Limit switches etc.
Input speed	20Hz , 5 kHz
Output specifications	
Sensor supply	12VDC@60mA (use external supply if current>60mA)
Functional specifications	
Range	999999 counts
Counting direction	Up
Reset	Front, Remote
Memory retention	Yes
Auxiliary supply specification	
Supply voltage	90 to 270V AC/ DC,@50/60 Hz
Environmental specifications	
Temperature	Operating: 0 to 50°C Storage: -20 to 75°C
Humidity	95% RH
Mechanical specifications	
Mounting	Panel mounting
Weight	85gms

### Terminal connections



### Dimensions



### Ordering information

Product code	Supply voltage	Certification
XC410B	90 to 270V AC/ DC,@50/60 Hz	---