



48 x 48mm

Features :

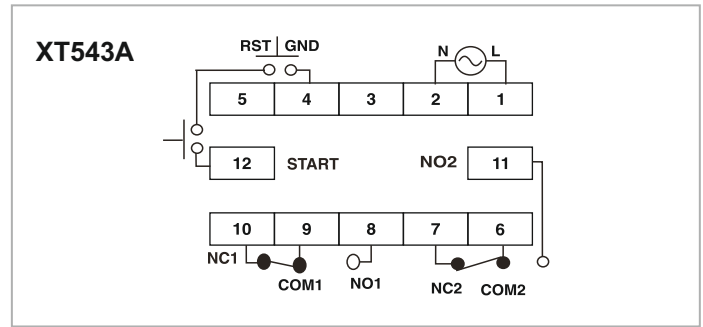
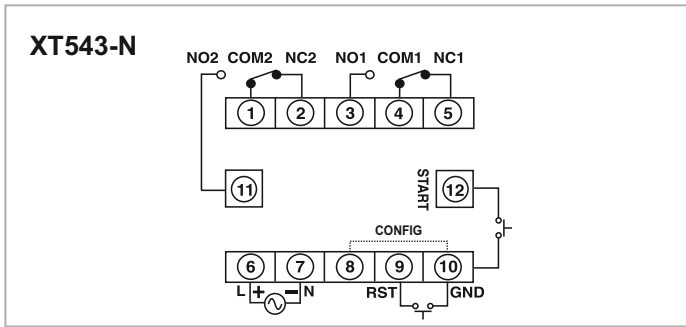
- ▶ 3 digits, 7 segment LED, Single display
- ▶ LED Indications: Relay ON
- ▶ Single set point
- ▶ Compact size

Certifications :

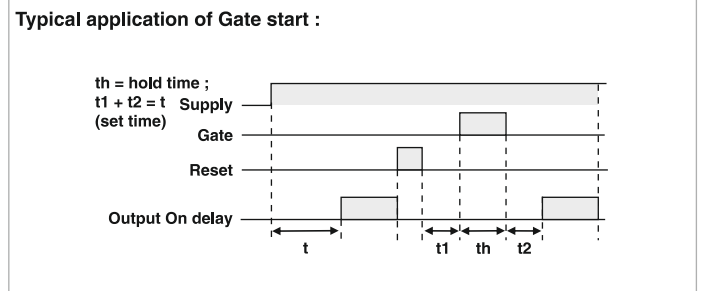
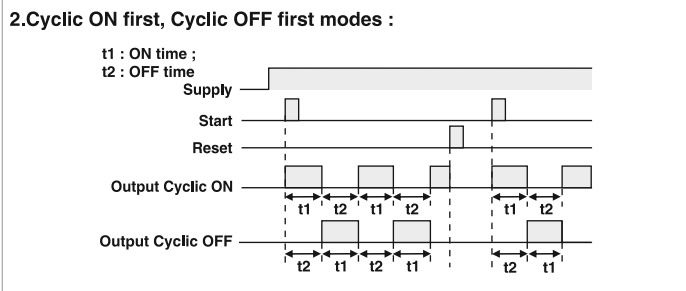
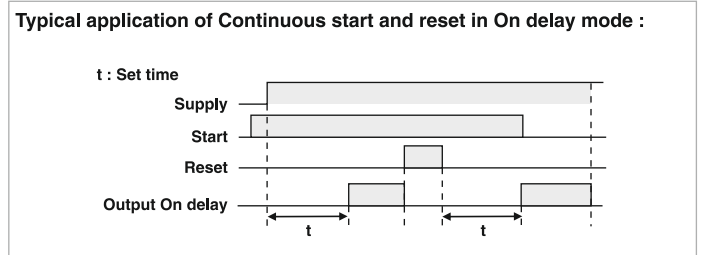
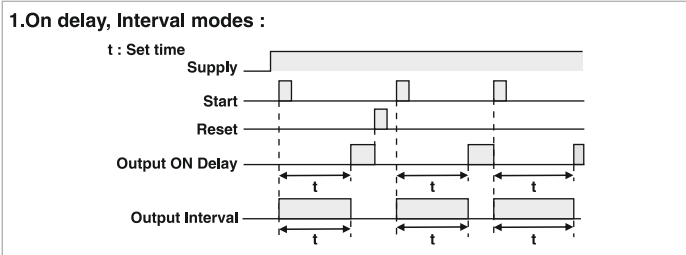
Technical specifications

Display specifications	
Display	3 digits, 0.56", 7 segment LED, Single Display
LED indication	Relay ON
Input specifications	
Accuracy	Setting: $\pm 0.05\%$ of set time or 50 msec (Whichever is greater), Repeat: $\pm 0.05\%$
Start input	Gate/ Pulse (Programmable)
Output specifications	
Contact rating	Relay: NO: 10A 250 VAC/ 24 VDC NO/ NC: 5A/ 5A 250 VAC/ 24 VDC
Relay contact	2X SPDT
Functional specifications	
Modes	ON delay, Interval, Cyclic ON first, Cyclic OFF first
Time ranges	9.99/ 99.9/ 999 sec, 9.59 min: sec, 99.9/ 999 min, 9.59 hour: min, 99.9/ 999 hour
Resolution	0.01 sec
Counting direction	Up/ Down (selectable)
Set point	1
Time setting	By keys on front panel
Reset	On interruption of power (Selectable), Front panel reset & terminal reset.
Memory retention	10 years
Configuration lock	Yes
Auxiliary supply specifications	
Supply voltage	90 to 270 VAC/ DC (50/ 60Hz)
Power consumption	5VA max @270 VAC/ DC
Environment specifications	
Temperature	Operating: 0 to 50°C Storage: - 20 to 55°C
Humidity (non - condensing)	95% RH
Mechanical specifications	
Mounting	Panel mount
Weight	120 gms

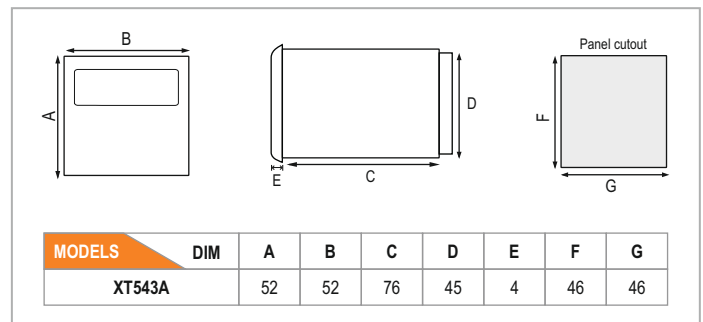
Terminal connections



Timing diagrams



Dimensions (All are in mm)



Ordering information

Product code	Output1	Output2	Supply voltage	Certification
XT543A	RELAY (5A)	RELAY (5A)	90 to 270 VAC/ DC	CE