



48 x 48mm

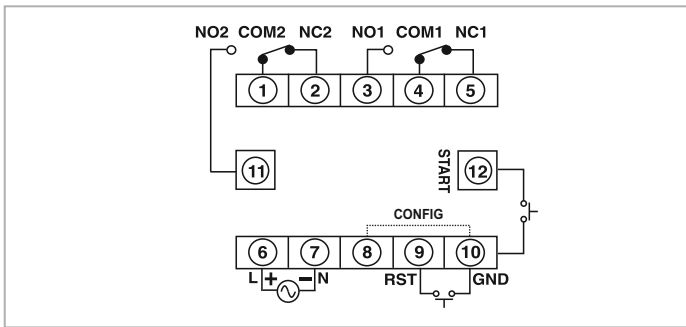
Features :

- ▶ Single set point
- ▶ LED Indications : Relay ON
- ▶ 2 C/O SPDT

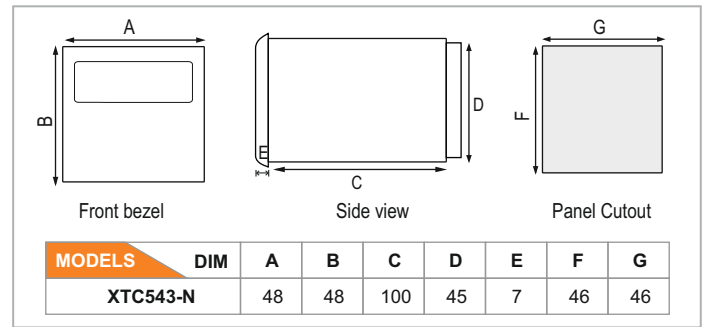
Technical specifications

Display specifications	
Display	3 digits, 7 segment LED
LED indication	Relay ON
Input specifications	
Accuracy	Setting: $\pm 0.05\%$ of set time or 50msec ; Repeat: $\pm 0.05\%$
Start input	Gate/ Pulse (Programmable)
Output specifications	
Contact rating	Relay: NO: 10A 250 VAC/ 24 VDC NO/ NC: 5A/ 5A 250 VAC/ 24VDC
Relay contact	2X SPDT
Functional specifications	
Modes	ON delay, Interval, Cyclic ON first, Cyclic OFF first
Time ranges	0 - 9.99sec, 0 - 99.9sec, 0 - 999sec, 0 - 9:59min: sec, 0 - 99.9min, 0 - 999min, 0 - 9:59hr: min, 0 - 99.9hr, 0 - 999hr
Resolution	0.01sec
Counting direction	Down
Set point	1
Time setting	By keys on front panel
Reset	Front, Remote, On power interruption
Memory	No
Configuration lock	No
Auxiliary supply specifications	
Supply voltage	90 to 270 VAC (50/ 60Hz), - 15% to 10% tolerance
Power consumption	4VA max
Environment specifications	
Temperature	Operating: 0 to 50°C (32 to 122°F) Storage: - 20 to 75°C (- 4 to 167°F)
Humidity (non - condensing)	95% RH
Mechanical specifications	
Mounting	Panel mount
Weight	160 gms

Terminal connections



Dimensions (All are in mm)



Ordering information

Product code	Supply voltage	Certification
XT543-N	90 to 270 VAC/ DC	---